

Technical information

SUPER 1800-5(i)



Tracked paver SUPER 1800-5(i)

Universal Class

TECHNICAL HIGHLIGHTS

- > Maximum pave width 10 m
- > Maximum laydown rate 700 t/h
- > Transport width 2.55 m
- > Engine output: 129 kW at 2,000 rpm

SUPER 1800-5(i) - top of its class

The 1800 class from VÖGELE is legendary. No other paver in the world is as popular with road construction professionals. With its SUPER 1800-5(i) Tracked Paver, VÖGELE is already more than one step ahead: new operator ergonomics, more automated processes, quicker set-up times and lower noise and exhaust emissions. The compact dimensions and maximum pave width of 10 m of the SUPER 1800-5(i) make it suitable for universal deployment - as good for building motorways as it is for inner-city roundabouts.



| TECHNICAL DATA | SUPER 1800-5i | SUPER 1800-5 |
|---|--|--|
| Power unit | | |
| | for EU/EFTA countries / USA / Canada / Japan / India / South Korea / Turkey | for all other countries |
| Engine | liquid-cooled 4-cylinder diesel engine | |
| > Version | Cummins | |
| > Manufacturer | Cummins | |
| > Type | B4.5 | QSB4.5 |
| Output | | |
| > Nominal | 129 kW at 2,000 rpm | 129 kW at 2,000 rpm |
| > ECO mode | 127 kW at 1,700 rpm | 128 kW at 1,700 rpm |
| Emissions information | | |
| > Exhaust emissions standards | European exhaust emissions standard EU Stage 5 US standard EPA Tier 4f | ECE R96 category H (equivalent to EU stage 3a) |
| > Exhaust gas after-treatment | DOC, DPF, SCR | |
| > Guaranteed sound power level | L _{WA} = 108 dB(A) (2000/14/EG, EN ISO 3744; EN 500-6) | |
| > Sound pressure level at the operator's stations | L _{PA} ≤ 80 dB(A) (EN ISO 11201; EN 500-6) | |
| Fuel tank | 300 litres | |
| Undercarriage | | |
| Crawler tracks | | |
| > Version | with rubber pads | |
| > Ground contact | 2,830 x 300 mm | |
| > Track tension adjuster | spring assembly | |
| > Lubrication of track rollers | lifetime | |
| Traction drive | electronically controlled separate hydraulic drive provided for each crawler track | |
| Speeds | | |
| > Paving | up to 25 m/min., infinitely variable | |
| > Travel | up to 4.5 km/h, infinitely variable | |
| Material hopper | | |
| Hopper capacity | 13 t | |
| Width | 3,290 mm | |
| Feed height | 578 mm (centre of material hopper) | |
| Push-rollers | | |
| > Standard | oscillating | |
| Position | can be displaced forwards by 100 mm | |
| > Option | sprung and oscillating (PaveDock), displaceable longitudinally by 100 mm | |

Conveyors and augers

Conveyors

| | |
|-----------|---|
| > Version | 2, with replaceable feeder bars, direction of conveyor temporarily reversible |
| > Drive | separate hydraulic drive provided for each conveyor |
| > Speed | up to 34 m/min., infinitely variable (manual or automatic) |

Augers

| | |
|------------|---|
| > Version | 2, with replaceable auger blades and reversible direction of rotation |
| > Diameter | 320 mm |
| > Drive | separate hydraulic drive provided for each auger |
| > Speed | up to 80 rpm, infinitely variable (manual or automatic) |
| > Height | infinitely variable by 15 cm, hydraulic, lowest position 10 cm above the ground |

Lubrication automatic centralized lubrication system with electrically driven grease pump

| Screed options | AB 500 | AB 600 | SB 300 | SB 300 HD |
|-----------------------|---------------------------|------------------------|--------------|-----------|
| Basic width | 2.55 m to 5 m | 3 m to 6 m | 3 m | 3 m |
| Maximum width (TV) | 8.75 m | 9.25 m | 10 m | 8 m |
| Compacting systems | TV, TP1, TP2, TP2 Plus | TV, TP1, TP2, TP2 Plus | TV, TP1, TP2 | TV |
| Layer thickness | up to 30 cm | | | |
| Screed heating | | | | |
| > Version | electric by heating rods* | | | |
| > Power supply | three-phase AC generator | | | |

Dimensions (transport) and weights

Length

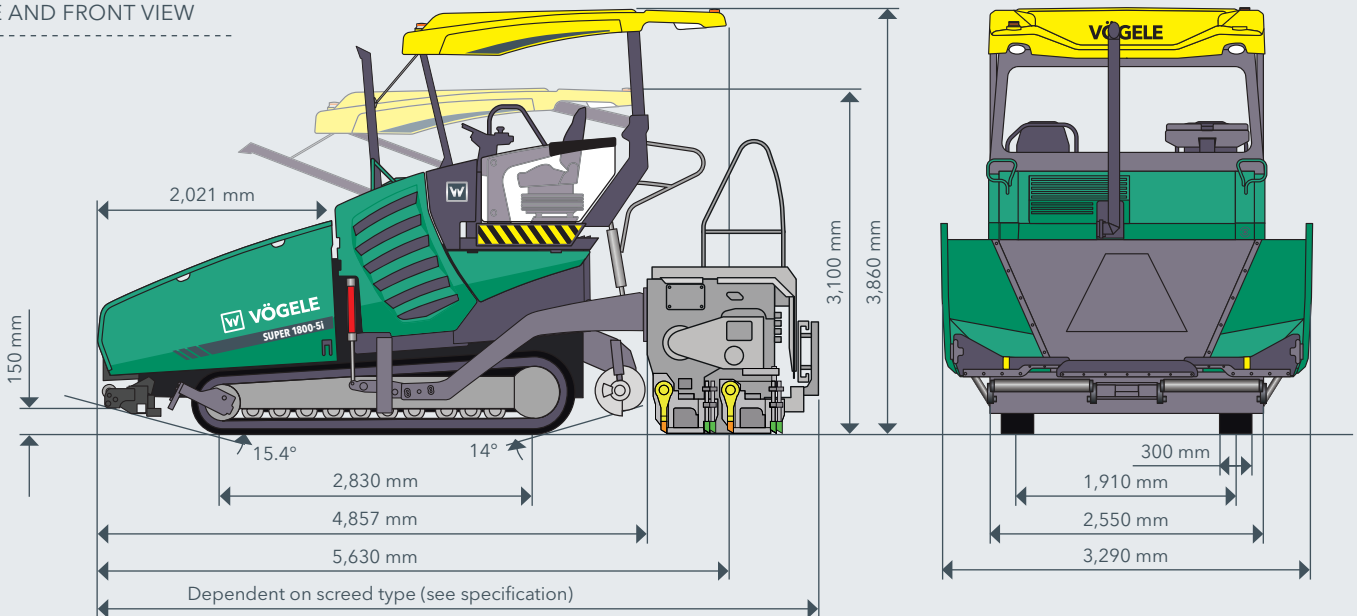
| | |
|--------------|---|
| > Version | tractor unit and screed |
| > AB 500/600 | TV: 6.15 m / TP1, TP2, TP2 Plus: 6.28 m |
| > SB 300 | TV, TP1, TP2: 6.17 m |
| > SB 300 HD | TV: 6.2 m |

Weights

| | |
|-------------|--|
| > Version | tractor unit and screed |
| > AB 500 TV | pave widths up to 5 m: 20,000 kg / pave widths up to 8.75 m: 25,300 kg |

Key: DOC = Diesel Oxidation Catalyst, DPF = Diesel Particulate Filter, SCR = Selective Catalytic Reduction, AB = Extending Screed, SB = Fixed-Width Screed, HD = Heavy-Duty, TV = with tamper and vibrators, TP1 = with tamper and 1 pressure bar, TP2 = with tamper and 2 pressure bars, TP2 Plus = with special tamper, 2 pressure bars and additional weights, * not for SB 300 HD

SIDE AND FRONT VIEW



THE HIGHLIGHTS OF THE SUPER 1800-5(i)

- > Tracked paver of the latest generation with a large range of applications and pave widths up to 10 m
- > Powerful and economical drive concept, even when operating at full load in any climate zone
- > The VÖGELE EcoPlus low-emissions package significantly reduces fuel consumption and noise emissions
- > ErgoPlus 5 - the next step in the evolution of this proven operating concept from VÖGELE
- > Equipped for the future with ErgoPlus 5 Premium Touch
- > Optimum material feed thanks to the large material hopper, the PaveDock sprung push-rollers, and the PaveDock Assistant communication system
- > Greater safety and reduced set-up time at night-working job sites thanks to Light Package and Light Package Plus
- > Paver Access Control (PAC) makes the paver ready for operation and transport more quickly
- > Niveltronic Plus Assist automated grade and slope control for automated roof profile and transverse profile paving
- > New generation screeds with Dual Shift Tamper for rapid tamper-stroke adjustment

| FEATURES | SUPER 1800-5i | SUPER 1800-5 |
|--|---------------|--------------|
| > Powerful oil-cooled generator | ■ | ■ |
| > VÖGELE EcoPlus low-emissions package | ■ | □ |
| > ErgoPlus 5 paver operator's platform with fixed roof | ■ | ■ |
| > Paver operator's console Premium | □ | □ |
| > Windscreen with windscreen wipers | □ | □ |
| > Convenience package with Paver Access Control (PAC) | □ | □ |
| > AutoSet Plus for simple repositioning and saving of paving programs | □ | □ |
| > Light Package and Light Package Plus | □ | □ |
| > PaveDock Assistant communication system | □ | □ |
| > PaveDock sprung push-rollers | □ | □ |
| > Large receiving hopper holding 13 tonnes | ■ | ■ |
| > Hydraulic hopper front | □ | □ |
| > Sonic sensor to control augers | ■ | ■ |
| > Auger tunnel illumination | ■ | ■ |
| > Niveltronic Plus and Niveltronic Plus Assist for automated grade and slope | □ | □ |
| > Ventilation system | □ | □ |
| > VÖGELE RoadScan comprehensive asphalt temperature measuring system | □ | □ |
| > Hydraulic tamper stroke adjustment at the touch of a button | □ | □ |
| > WITOS Paving Plus process management solution | □ | □ |
| > John Deere Operations Center | ■ | ■ |

This list is just an extract of the scope of supply.
Standard features and options may differ by sales region.

■ Standard feature □ Option

JOSEPH VÖGELE AG

Joseph-Vögele-Str. 1
67075 Ludwigshafen
Germany

T: +49 621 8105-0
F: +49 621 8105-461
M: marketing@voegele.info

www.voegele.info

