

Technical information

SUPER 1003(i)



Wheeled paver SUPER 1003(i)

Compact Class

TECHNICAL HIGHLIGHTS

- > Maximum pave width 3.9 m
- > Maximum laydown rate 230 t/h
- > Transport width 1.85 m
- > Engine output: 55.4 kW at 2,000 rpm

**SUPER 1003(i) - compact and manoeuvrable:
the small wheeled paver**

The SUPER 1003(i) is designed to be particularly compact and manoeuvrable. It can cope with really confined job sites. As a VÖGELE Classic Line paver, it has absolutely sound basic features. The most obvious feature to distinguish these machines is the ErgoBasic operating concept.

The SUPER 1003(i) combines with the AB 340 Extending Screed in the V and TV versions.



TECHNICAL DATA	SUPER 1003i	SUPER 1003
Power unit		
	for EU/EFTA countries/USA/Canada	for all other countries
Engine	liquid-cooled 4-cylinder diesel engine	
> Version	Deutz	
> Manufacturer	TCD 3.6 L4	
> Type		
Output		
> Nominal	55.4 kW at 2,000 rpm	
> ECO mode	55.4 kW at 1,600 rpm	
Emissions information		
> Exhaust emissions standards	EU Stage V, US EPA Tier 4f	EU Stage 3a, US EPA Tier 3
> Exhaust gas after-treatment	DOC, DPF	
> Guaranteed sound power level	L _{WA} = 104 dB(A) (2000/14/EG, EN ISO 3744; EN 500-6)	
> Sound pressure level at the operator's stations	L _{PA} ≤ 80 dB(A) (EN ISO 11201; EN 500-6)	
Fuel tank	105 litres	
Undercarriage		
Front wheels	4, mounted on bogies	
> Tyre equipment	elastic solid rubber tyres	
> Tyre size	460/250 - 310 mm	
Rear wheels	2, pneumatic tyres or filled with water	
> Tyre size	365/80 R20	
Drive		
> Version	electronically controlled separate hydraulic drive provided for each wheel	
> Standard	2 rear wheels (6x2)	
> Option	2 rear and 2 front wheels (6x4)	
Speeds		
> Paving	up to 18 m/min., infinitely variable	
> Transport	up to 20 km/h, infinitely variable	
Outside turning circle		
> Version	minimum 3.8 m (with Pivot Steer)	
Material hopper		
Hopper capacity	10 t	
Width	3,265 mm	
Feed height	570 mm	
Push-rollers	oscillating suspension, 80 mm adjustable forwards	

Conveyors and augers

Conveyors	
> Version	2, with replaceable feeder bars, direction of conveyor temporarily reversible
> Drive	separate hydraulic drive provided for each conveyor
> Speed	up to 22 m/min., infinitely variable (manual or automatic)
Augers	
> Version	2, with replaceable auger blades, auger rotation reversible
> Diameter	300 mm
> Drive	separate hydraulic drive provided for each auger
> Speed	up to 85 rpm, infinitely variable (manual or automatic)
Auger height	
> Standard	infinitely variable by 13 cm, mechanical
> Option	infinitely variable by 13 cm, hydraulic

Screed AB 340

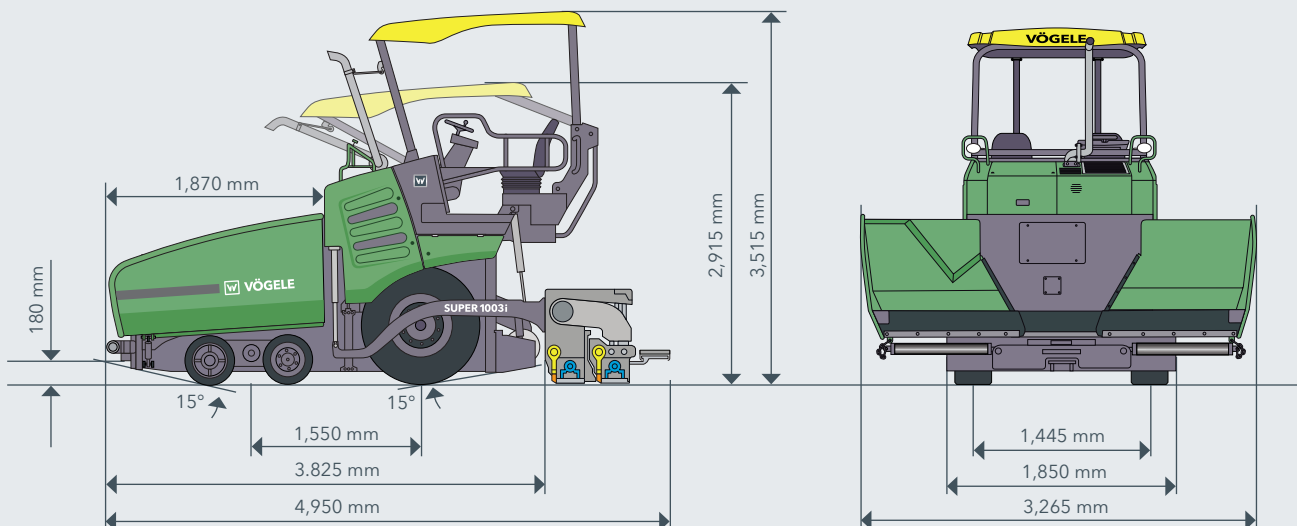
Basic width	1.8 m to 3.4 m
Maximum width (TV)	3.9 m
Min. pave width with system for pave width reduction	0.75 m
Reduction in width	by cut-off shoes 2 x 52.5 cm
Compacting systems	V, TV
Layer thickness	up to 15 cm
Screed heating	
> Version	electric by heating rods
> Power supply	three-phase AC generator

Dimensions (transport) and weights

Length	
> Version	tractor unit with screed
> AB 340 TV	4,95 m
Weights	
> Version	tractor unit with screed
> AB 340 V	pave widths up to 3.9 m: 9,800 kg
> AB 340 TV	pave widths up to 3.9 m: 10,000 kg

Key: DOC = Diesel Oxidation Catalyst, DPF = Diesel Particulate Filter, AB = Extending Screed, V = with vibrators, TV = with tamper and vibrators

SIDE AND FRONT VIEW



THE HIGHLIGHTS OF THE SUPER 1003(i)

- > Large range of applications for pave widths up to 3.9 m
- > Powerful and economical drive concept with a modern 55.4 kW diesel engine
- > Pivot Steer steering brake achieves significantly smaller turning circle
- > Large material hopper with a capacity of 10 tonnes ensures optimum feeding with material
- > ErgoBasic operating system with numerous convenient and automatic functions
- > Niveltronic Basic Automated Grade and Slope Control
- > Can be combined with the AB 340 Extending Screed with the V and TV compacting systems

FEATURES	SUPER 1003i	SUPER 1003
> Powerful three-phase AC generator with generator management	■	■
> Electronic engine management with ECO mode and controlled fan drive	■	■
> Pivot Steer steering brake	■	■
> Wide push-rollers can be displaced forwards by 80 mm	■	■
> Manual hopper front	■	■
> Auger height adjustment, manual	■	■
> Auger height adjustment, hydraulic	□	□
> Working lights, halogen	■	■
> Working lights for auger tunnel	□	□
> Simple, ergonomic ErgoBasic operating concept	■	■
> VÖGELE-design hardtop	□	□
> Sonic sensor to control augers	■	■
> Niveltronic Basic System for Automated Grade and Slope Control	□	□
> Variety of grade and slope control sensors	□	□
> Cleaning agent tank and spray bottle	□	□

This list is just an extract of the scope of supply.
Standard features and options may differ by sales region.

■ Standard feature □ Option

JOSEPH VÖGELE AG

Joseph-Vögele-Str. 1
67075 Ludwigshafen
Germany

T: +49 621 8105-0
F: +49 621 8105-461
M: marketing@voegele.info

➤ www.voegele.info

