

# 744 P

Wheel Loader



JOHN DEERE





# PRIMED FOR PRODUCTIVITY

## **SEE IT LIKE NEVER BEFORE**

New Advanced Vision System includes two digital cameras mounted on the rearview-mirror platforms that integrate with the rearview camera for a single display on the in-cab monitor. Overlaid within the monitor's rear-camera view, dynamic reversal projected-path lines help operators visualize the loader's anticipated reversal path based on its articulation, for sight lines to people or objects directly within the path.



# LARGE AND IN CHARGE

## READY TO DO THE HEAVY LIFTING.

Combining serious performance with fuel efficiency, customer-inspired components, and intuitive controls, our 744 P-tier provides the muscle operators need to work productively and comfortably. Enhancements include increased horsepower, an ergonomically reimagined cab, and simplified service points. With its rugged EPA Final Tier 4/EU Stage V-compliant John Deere PowerTech™ diesel, high-capacity heavy-duty axles, and a wealth of proven options, this large-scale wheel loader is built rock solid for the long haul.

### Step up your game

With standard advantages such as an updated 9.0L engine and after-treatment, a fuel-efficient lockup torque converter, and a dedicated steering pump, the 744 P-tier can heap heavier and haul more.

### Outsized comfort

Cab boasts three more inches of legroom than previous models. Standard premium heated/ventilated seat, updated HVAC system with automatic temperature control, and redesigned sealed-switch module are placed for ergonomic comfort and convenience. A 79-percent-wider door than on previous series models makes getting in and out easier.

### Time saver

Easier access to the engine oil dipstick cuts routine service time in half.

### It's easy to take control

Easier and more intuitive to operate than the controls on previous models, seat-mounted right-hand hydraulic controls feature two programmable multifunction buttons with electro-hydraulic (EH) controls.

### Make the shift

Smooth-shifting transmission delivers impressive acceleration and cycle times. Design optimizes power and fuel efficiency during transport, roading, and ramp climbing.

### Precision Construction

This suite of construction technology delivers **Productivity Solutions** to help you get more done, more efficiently. In-base JDLink™ connectivity provides machine location, utilization data, and alerts to help you maximize productivity and efficiency. To maximize uptime and lower costs, JDLink also enables **John Deere Connected Support™**. Dealers use Expert Alerts based on data from thousands of connected machines to proactively address conditions that may otherwise likely lead to downtime. Your dealer can also monitor machine health and leverage remote diagnostics and programming capability to further diagnose problems and even update machine software without a time-consuming trip to the jobsite.\*

\*Availability varies by region. Options not available in every country.



## UPDATED 9.0L ENGINE BOOSTS RELIABILITY & DURABILITY





**OPTIONAL AUTO-LUBE SYSTEM  
SAVES TIME & HASSLE**



# 744 P

## WHEEL LOADER

## YOU THOUGHT OF EVERYTHING IT'S IN THE DETAILS.

Your best ideas have helped our large wheel loaders stand out on the jobsite and in the industry. These are just some of the purpose-built details that add up to push our 744 P-tier — and your operation — to the next level.



### Heavy-duty durability

Large, high-capacity, heavy-duty axles with standard axle cooling and filtration increase durability in demanding conditions compared to previous models.



### Reliable redesign

Routing of the electrical and hydraulic systems has been significantly simplified to minimize friction, improving reliability and easing maintenance.



### Road and go

Versatile log-handler and pipe-handler configurations deliver up to 11-percent-more full-turn tipping-load capacity than the 744K.



### On the winning side

All daily service points including fuel are conveniently grouped on the left side of the machine for easy access.



### Keep your cool

Quad-Cool™ system design places coolers in a unique boxed configuration that's isolated from engine heat, for increased efficiency and durability. Standard hydraulic reversing fan automatically reverses at predetermined intervals, or can be programmed through the monitor, to eject debris from the cooler cores.



While general information, pictures, and descriptions are provided, some illustrations and text may include product options and accessories NOT AVAILABLE in all regions, and in some countries products and accessories may require modifications or additions to ensure compliance with the local regulations of those countries.

<b>Engine</b>		<b>744 P-TIER</b>	
Manufacturer and Model	John Deere PowerTech™ PSS 6090		
Non-Road Emission Standard	EPA Final Tier 4/EU Stage V		
Cylinders	6		
Valves per Cylinder	4		
Displacement	9.0 L (548 cu. in.)		
Net Peak Power (ISO 9249)	236 kW (316 hp) at 1,500 rpm		
Net Peak Torque (ISO 9249)	1501 Nm (1,107 lb.-ft.) at 1,400 rpm		
Net Torque Rise	50%		
Fuel System (electronically controlled)	High-pressure common rail		
Lubrication	Full-flow spin-on filter and integral cooler		
Aspiration	Series turbocharged, charge air cooled		
Air Cleaner	Under-hood, dual-element dry type, restriction indicator in cab monitor for service		
<b>Cooling</b>			
Fan Drive	Hydraulically driven, proportionally controlled, fan aft of coolers		
<b>Electrical</b>			
Electrical System	24 volt with 150-amp alternator		
Batteries (2 – 12 volt)	1,400 CCA (each)		
<b>Transmission System</b>			
Type	Countershaft-type PowerShift™ with lockup torque converter		
Torque Converter	Single stage, dual phase with freewheeling stator with lockup clutch		
Shift Control	Electronically modulated, adaptive, load and speed dependent		
Operator Interface	Steering-column or joystick-mounted F-N-R and gear-select lever; Quick-Shift button on hydraulic lever		
Shift Modes	Manual/auto (1st–5th or 2nd–5th); Quick-Shift button with 2 selectable modes: kick-down or kick-up/down; and 4 settings for clutch cutoff		
Maximum Travel Speeds (with 26.5 R 25, 1 Star L3 tires)	<i>Standard 5-Speed With Lockup Torque Converter</i>		
	<i>Forward</i>	<i>Reverse</i>	
Range 1	7.1 km/h (4.4 mph)	7.1 km/h (4.4 mph)	
Range 2	12.8 km/h (8.0 mph)	12.8 km/h (8.0 mph)	
Range 3	19.6 km/h (12.8 mph)	28.0 km/h (17.4 mph)	
Range 4	28.0 km/h (17.4 mph)	N/A	
Range 5	40.0 km/h (24.9 mph)	N/A	
<b>Axles/Brakes</b>			
Final Drives	Heavy-duty inboard-mounted planetary		
Differentials	Hydraulic locking front with conventional rear – standard; dual locking front and rear – optional		
Rear Axle Oscillation, Stop to Stop (with 26.5 R 25, 1 Star L3 tires)	26 deg. (13 deg. each direction)		
Brakes (conform to ISO 3450)			
Service	Hydraulically actuated, spring released, inboard, sun-gear mounted, oil cooled, self-adjusting, single disc		
Parking	Automatic spring applied, hydraulically released, oil cooled, multi disc		

## 744 P-TIER WHEEL LOADER SPECIFICATIONS

# 744

# P

While general information, pictures, and descriptions are provided, some illustrations and text may include product options and accessories NOT AVAILABLE in all regions, and in some countries products and accessories may require modifications or additions to ensure compliance with the local regulations of those countries.

### Tires/Wheels

(see page 13 for complete tire adjustments) **744 P-TIER**

	Tread Width	Width Over Tires
Michelin 26.5 R 25, 2 Star L3	2298 mm (90.5 in.)	3084 mm (121.4 in.)

### Serviceability

#### Refill Capacities

Fuel Tank With Lockable Cap	477 L (126 gal.)
Diesel Exhaust Fluid (DEF)	26.3 L (6.9 gal.)
Cooling System	48 L (50.7 qt.)
Engine Oil With Vertical Spin-On Filter	34 L (36 qt.)
Transmission Reservoir With Vertical Filter	28.0 L (29.5 qt.)
Axle Oil (front and rear, each)	55.3 L (58.4 qt.)
Hydraulic Reservoir and Filter	142 L (37.5 gal.)
Park Brake Oil (wet disc)	0.7 L (24 oz.)

#### Hydraulic System/Steering

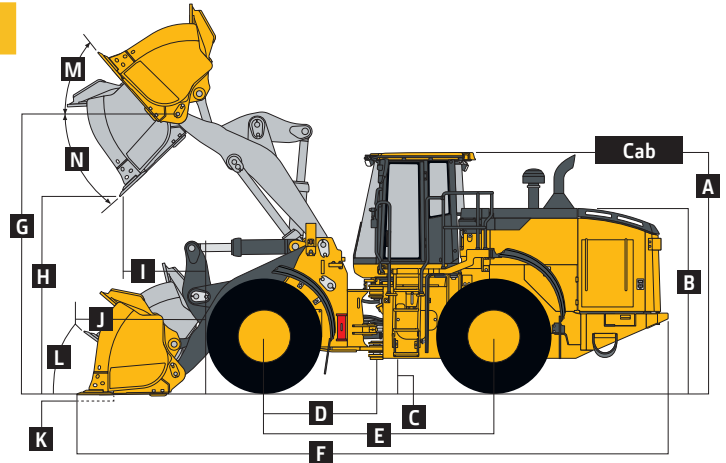
Loader Pumps	2 variable-displacement, load-sensing axial-piston pumps; closed-center system
Rated rpm	2,350 rpm
Maximum Rated Flow at 6895 kPa (1,000 psi) and 2,000 rpm	484.5 L/m (128 gpm)
System Relief Pressure (loader and steering)	23 000 kPa (3,336 psi)
Differential Pressure	2103 kPa (305 psi)
Steering Pump	1 variable-displacement, load-sensing axial-piston pump; closed-center system
Rated rpm	2,350 rpm
Maximum Rated Flow at 6895 kPa (1,000 psi) and 2,000 rpm	161.5 L/m (43 gpm)
System Relief Pressure (loader and steering)	23 000 kPa (3,336 psi)
Differential Pressure	2103 kPa (305 psi)
Loader Controls	2-function valve; single- or dual-lever controls; control lever lockout feature; optional 3rd- and 4th-function valve with auxiliary controls
Steering (conforms to ISO 5010)	
Type	Power, fully hydraulic
Articulation Angle	80-deg. arc (40 deg. each direction)
Turning Radius (measured to centerline of outside tire)	5.92 m (19 ft. 5 in.)
Hydraulic Cycle Times	<i>Standard-Lift / High-Lift</i>
Raise	5.9 sec.
Dump	1.4 sec.
Lower (float down)	2.8 sec.
Total	10.1 sec.

# 744 P-TIER

While general information, pictures, and descriptions are provided, some illustrations and text may include product options and accessories NOT AVAILABLE in all regions, and in some countries products and accessories may require modifications or additions to ensure compliance with the local regulations of those countries.

## Dimensions and Specifications With Pin-On Bucket

744 P-TIER



### 744 P-TIER STANDARD-LIFT AND HIGH-LIFT LOADERS WITH PIN-ON BUCKET

	Standard-Lift	Standard-Lift	Standard-Lift	Standard-Lift	Standard-Lift	Standard-Lift	Standard-Lift	Standard-Lift	High-Lift
									4.0-m <sup>3</sup> (5.25 cu. yd.)
	4.0-m <sup>3</sup> (5.25 cu. yd.) general-purpose			4.2-m <sup>3</sup> (5.5 cu. yd.) general-purpose			4.5-m <sup>3</sup> (5.85 cu. yd.)		general-purpose
<b>Dimensions With Bucket</b>	bolt-on edge			teeth and segments			JAGZ™		bolt-on edge
<b>Cutting Edge Type</b>	teeth and segments			JAGZ™			bolt-on edge		JAGZ
<b>A</b> Height to Top of Cab	3.57 m (11 ft. 9 in.)	3.57 m (11 ft. 9 in.)	3.57 m (11 ft. 9 in.)	3.57 m (11 ft. 9 in.)	3.57 m (11 ft. 9 in.)	3.57 m (11 ft. 9 in.)	3.57 m (11 ft. 9 in.)	3.57 m (11 ft. 9 in.)	3.57 m (11 ft. 9 in.)
<b>B</b> Hood Height	2.73 m (8 ft. 11 in.)	2.73 m (8 ft. 11 in.)	2.73 m (8 ft. 11 in.)	2.73 m (8 ft. 11 in.)	2.73 m (8 ft. 11 in.)	2.73 m (8 ft. 11 in.)	2.73 m (8 ft. 11 in.)	2.73 m (8 ft. 11 in.)	2.73 m (8 ft. 11 in.)
<b>C</b> Ground Clearance	458 mm (18 in.)	458 mm (18 in.)	458 mm (18 in.)	458 mm (18 in.)	458 mm (18 in.)	458 mm (18 in.)	458 mm (18 in.)	458 mm (18 in.)	458 mm (18 in.)
<b>D</b> Length From Centerline to Front Axle	1.70 m (5 ft. 7 in.)	1.70 m (5 ft. 7 in.)	1.70 m (5 ft. 7 in.)	1.70 m (5 ft. 7 in.)	1.70 m (5 ft. 7 in.)	1.70 m (5 ft. 7 in.)	1.70 m (5 ft. 7 in.)	1.70 m (5 ft. 7 in.)	1.70 m (5 ft. 7 in.)
<b>E</b> Wheelbase	3.46 m (11 ft. 4 in.)	3.46 m (11 ft. 4 in.)	3.46 m (11 ft. 4 in.)	3.46 m (11 ft. 4 in.)	3.46 m (11 ft. 4 in.)	3.46 m (11 ft. 4 in.)	3.46 m (11 ft. 4 in.)	3.46 m (11 ft. 4 in.)	3.46 m (11 ft. 4 in.)
<b>F</b> Overall Length, Bucket on Ground	9.02 m (29 ft. 7 in.)	9.23 m (30 ft. 4 in.)	9.02 m (29 ft. 7 in.)	9.10 m (29 ft. 10 in.)	9.30 m (30 ft. 6 in.)	9.10 m (29 ft. 10 in.)	9.16 m (30 ft. 1 in.)	9.16 m (30 ft. 1 in.)	9.66 m (31 ft. 8 in.)
<b>G</b> Height to Hinge Pin, Fully Raised	4.27 m (14 ft. 0 in.)	4.27 m (14 ft. 0 in.)	4.27 m (14 ft. 0 in.)	4.27 m (14 ft. 0 in.)	4.27 m (14 ft. 0 in.)	4.27 m (14 ft. 0 in.)	4.27 m (14 ft. 0 in.)	4.27 m (14 ft. 0 in.)	4.84 m (15 ft. 11 in.)
<b>H</b> Dump Clearance, 45 deg., Full Height	3.04 m (10 ft. 0 in.)	2.90 m (9 ft. 6 in.)	3.04 m (10 ft. 0 in.)	2.98 m (9 ft. 9 in.)	2.85 m (9 ft. 4 in.)	2.99 m (9 ft. 10 in.)	2.94 m (9 ft. 8 in.)	2.94 m (9 ft. 8 in.)	3.69 m (12 ft. 1 in.)
<b>I</b> Reach, 45-deg. Dump, Full Height	1.27 m (4 ft. 2 in.)	1.41 m (4 ft. 7 in.)	1.27 m (4 ft. 2 in.)	1.32 m (4 ft. 4 in.)	1.45 m (4 ft. 9 in.)	1.32 m (4 ft. 4 in.)	1.36 m (4 ft. 6 in.)	1.36 m (4 ft. 6 in.)	1.53 m (5 ft. 0 in.)
<b>J</b> Reach, 45-deg. Dump, 213-mm (7 ft. 0 in.) Clearance	1.89 m (6 ft. 2 in.)	1.96 m (6 ft. 5 in.)	1.89 m (6 ft. 2 in.)	1.92 m (6 ft. 4 in.)	1.98 m (6 ft. 6 in.)	1.92 m (6 ft. 4 in.)	1.94 m (6 ft. 4 in.)	1.94 m (6 ft. 4 in.)	2.45 m (8 ft. 0 in.)
<b>K</b> Maximum Digging Depth	104 mm (4.1 in.)	120 mm (4.7 in.)	101 mm (4.0 in.)	110 mm (4.3 in.)	130 mm (5.1 in.)	107 mm (4.2 in.)	115 mm (4.5 in.)	115 mm (4.5 in.)	219 mm (8.6 in.)
<b>L</b> Maximum Rollback at Ground Level	40.2 deg.	40.2 deg.	40.2 deg.	40.2 deg.	40.2 deg.	40.2 deg.	40.2 deg.	40.2 deg.	41.2 deg.
<b>M</b> Maximum Rollback, Boom Fully Raised	54.9 deg.	54.9 deg.	54.9 deg.	54.9 deg.	54.9 deg.	54.9 deg.	54.9 deg.	54.9 deg.	53.1 deg.
<b>N</b> Maximum Bucket Dump Angle, Fully Raised	49.3 deg.	49.3 deg.	49.3 deg.	49.9 deg.	49.9 deg.	49.9 deg.	49.9 deg.	49.8 deg.	39.2 deg.
Loader Clearance Circle, Bucket Carry Position	14.01 m (46 ft. 0 in.)	14.13 m (46 ft. 4 in.)	14.01 m (46 ft. 0 in.)	14.06 m (46 ft. 2 in.)	14.22 m (46 ft. 8 in.)	14.06 m (46 ft. 2 in.)	14.10 m (46 ft. 3 in.)	14.10 m (46 ft. 3 in.)	14.20 m (46 ft. 7 in.)



While general information, pictures, and descriptions are provided, some illustrations and text may include product options and accessories NOT AVAILABLE in all regions, and in some countries products and accessories may require modifications or additions to ensure compliance with the local regulations of those countries.

## 744 P-TIER

Dimensions and Specifications									
With Pin-On Bucket (continued)									
	744 P-TIER								
	Standard-Lift	Standard-Lift	Standard-Lift	Standard-Lift	Standard-Lift	Standard-Lift	Standard-Lift	Standard-Lift	High-Lift 4.0-m <sup>3</sup> (5.25 cu. yd.)
<b>Specifications With Bucket</b>	4.0-m <sup>3</sup> (5.25 cu. yd.) general-purpose			4.2-m <sup>3</sup> (5.5 cu. yd.) general-purpose			4.5-m <sup>3</sup> (5.85 cu. yd.) material-handling		High-Lift 4.0-m <sup>3</sup> (5.25 cu. yd.) general-purpose
<b>Cutting Edge Type</b>	bolt-on edge	teeth and segments	JAGZ	bolt-on edge	teeth and segments	JAGZ	bolt-on edge	JAGZ	bolt-on edge
Capacity, Heaped	4.0 m <sup>3</sup> (5.25 cu. yd.)	4.0 m <sup>3</sup> (5.25 cu. yd.)	4.0 m <sup>3</sup> (5.25 cu. yd.)	4.2 m <sup>3</sup> (5.5 cu. yd.)	4.2 m <sup>3</sup> (5.5 cu. yd.)	4.2 m <sup>3</sup> (5.5 cu. yd.)	4.5 m <sup>3</sup> (5.85 cu. yd.)	4.5 m <sup>3</sup> (5.85 cu. yd.)	4.0 m <sup>3</sup> (5.25 cu. yd.)
Capacity, Heaped at 110% Fill Factor	4.4 m <sup>3</sup> (5.78 cu. yd.)	4.4 m <sup>3</sup> (5.78 cu. yd.)	4.4 m <sup>3</sup> (5.78 cu. yd.)	4.6 m <sup>3</sup> (6.05 cu. yd.)	4.6 m <sup>3</sup> (6.05 cu. yd.)	4.6 m <sup>3</sup> (6.05 cu. yd.)	5.0 m <sup>3</sup> (6.44 cu. yd.)	5.0 m <sup>3</sup> (6.44 cu. yd.)	4.4 m <sup>3</sup> (5.78 cu. yd.)
Capacity, Struck	3.4 m <sup>3</sup> (4.5 cu. yd.)	3.4 m <sup>3</sup> (4.5 cu. yd.)	3.4 m <sup>3</sup> (4.5 cu. yd.)	3.5 m <sup>3</sup> (4.6 cu. yd.)	3.5 m <sup>3</sup> (4.6 cu. yd.)	3.5 m <sup>3</sup> (4.6 cu. yd.)	3.8 m <sup>3</sup> (4.9 cu. yd.)	3.8 m <sup>3</sup> (4.9 cu. yd.)	3.4 m <sup>3</sup> (4.5 cu. yd.)
Bucket Weight With Bolt-On Cutting Edge	2343 kg (5,165 lb.)	2466 kg (5,437 lb.)	2365 kg (5,214 lb.)	2366 kg (5,216 lb.)	2490 kg (5,490 lb.)	2389 kg (5,267 lb.)	2404 kg (5,300 lb.)	2426 kg (5,348 lb.)	2343 kg (5,165 lb.)
Bucket Width	3.28 m (10 ft. 9 in.)	3.30 m (10 ft. 10 in.)	3.28 m (10 ft. 9 in.)	3.28 m (10 ft. 9 in.)	3.30 m (10 ft. 10 in.)	3.28 m (10 ft. 9 in.)	3.28 m (10 ft. 9 in.)	3.28 m (10 ft. 9 in.)	3.28 m (10 ft. 9 in.)
Breakout Force	19 414 kg (42,800 lb.)	16 941 kg (37,348 lb.)	19 447 kg (42,873 lb.)	18 307 kg (40,360 lb.)	16 057 kg (35,400 lb.)	18 339 kg (40,431 lb.)	17 550 kg (38,691 lb.)	17 501 kg (38,583 lb.)	17 396 kg (38,352 lb.)
Tipping Load, Straight, No Tire Deflection	19 885 kg (43,846 lb.)	19 721 kg (43,485 lb.)	19 858 kg (43,779 lb.)	19 650 kg (43,321 lb.)	19 485 kg (42,957 lb.)	19 624 kg (43,263 lb.)	19 516 kg (43,025 lb.)	19 493 kg (42,975 lb.)	15 843 kg (34,928 lb.)
Tipping Load, Straight, With Tire Deflection	18 606 kg (41,026 lb.)	18 444 kg (40,669 lb.)	18 579 kg (40,960 lb.)	18 393 kg (40,550 lb.)	18 231 kg (40,192 lb.)	18 366 kg (40,490 lb.)	18 258 kg (40,252 lb.)	18 234 kg (40,199 lb.)	16 191 kg (35,695 lb.)
Tipping Load, 37-deg. Partial Turn, No Tire Deflection	17 549 kg (38,696 lb.)	17 385 kg (38,334 lb.)	17 522 kg (38,629 lb.)	17 336 kg (38,219 lb.)	17 171 kg (37,855 lb.)	17 310 kg (38,162 lb.)	17 212 kg (37,946 lb.)	17 188 kg (37,893 lb.)	13 903 kg (30,651 lb.)
Tipping Load, 40-deg. Full Turn, No Tire Deflection	17 170 kg (37,860 lb.)	17 007 kg (37,500 lb.)	17 144 kg (37,796 lb.)	16 961 kg (36,797 lb.)	16 796 kg (36,797 lb.)	16 935 kg (37,029 lb.)	16 839 kg (37,335 lb.)	16 815 kg (37,071 lb.)	13 590 kg (29,959 lb.)
Tipping Load, 40-deg. Full Turn, With Tire Deflection	15 534 kg (34,252 lb.)	15 372 kg (33,895 lb.)	15 507 kg (34,187 lb.)	15 351 kg (33,843 lb.)	15 189 kg (33,486 lb.)	15 327 kg (33,790 lb.)	15 228 kg (33,572 lb.)	15 204 kg (33,519 lb.)	13 590 kg (29,961 lb.)
Rated Operating Load, 50% Full-Turn Tipping Load, With Tire Deflection (conforms to ISO 14397-1)*	7767 kg (17,123 lb.)	7686 kg (16,945 lb.)	7754 kg (17,095 lb.)	7676 kg (16,923 lb.)	7595 kg (16,744 lb.)	7664 kg (16,896 lb.)	7614 kg (16,786 lb.)	7602 kg (16,760 lb.)	6795 kg (14,980 lb.)
Operating Weight	24 907 kg (54,920 lb.)	25 030 kg (55,191 lb.)	24 929 kg (54,959 lb.)	24 930 kg (54,961 lb.)	25 054 kg (55,235 lb.)	24 953 kg (55,012 lb.)	24 968 kg (55,045 lb.)	24 990 kg (55,094 lb.)	25 447 kg (56,101 lb.)

Loader operating information is based on machine with identified linkage and standard equipment, PowerTech PSS 6090 (EPA Final Tier 4/EU Stage V) engine, ROPS cab, rear cast bumper/counterweight, transmission side-frame guards, bottom guards, standard tires, full fuel tank, and 79-kg (175 lb.) operator. This information is affected by changes in tires, ballast, and different attachments.

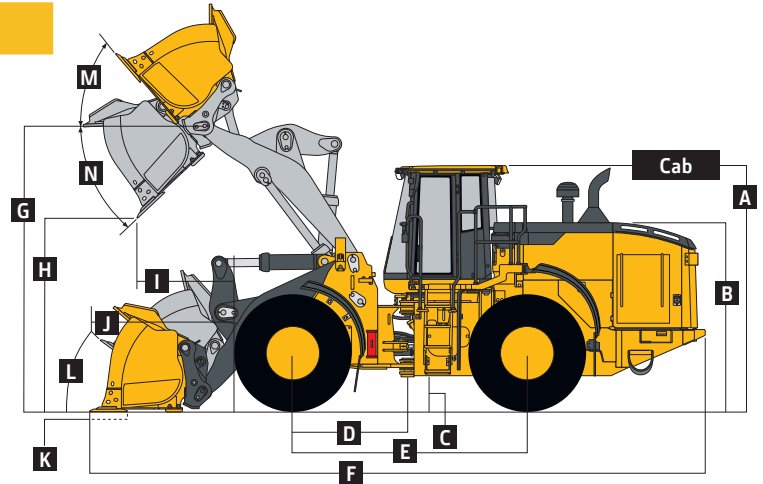
\*Rated operating capacity based on Deere attachments only.

# 744 P-TIER

While general information, pictures, and descriptions are provided, some illustrations and text may include product options and accessories NOT AVAILABLE in all regions, and in some countries products and accessories may require modifications or additions to ensure compliance with the local regulations of those countries.

## Dimensions and Specifications With Coupler and Hook-On Bucket

744 P-TIER



### 744 P-TIER STANDARD-LIFT AND HIGH-LIFT LOADERS WITH HOOK-ON BUCKET

Dimensions With Bucket	Standard-Lift 3.8-m <sup>3</sup> (5.0 cu. yd.) performance (EP)	Standard-Lift general-purpose (GP)	Standard-Lift enhanced performance (EP)	Standard-Lift 4.0-m <sup>3</sup> (5.25 cu. yd.) performance (EP)	Standard-Lift general-purpose (GP)	Standard-Lift enhanced performance (EP)	High-Lift 3.8-m <sup>3</sup> (5.0 cu. yd.) GP EP
	teeth and bolt-on edge	segments	JAGZ	teeth and bolt-on edge	segments	JAGZ	bolt-on edge
A Height to Top of Cab	3.57 m (11 ft. 9 in.)	3.57 m (11 ft. 9 in.)	3.57 m (11 ft. 9 in.)	3.57 m (11 ft. 9 in.)	3.57 m (11 ft. 9 in.)	3.57 m (11 ft. 9 in.)	3.57 m (11 ft. 9 in.)
B Hood Height	2.73 m (8 ft. 11 in.)	2.73 m (8 ft. 11 in.)	2.73 m (8 ft. 11 in.)	2.73 m (8 ft. 11 in.)	2.73 m (8 ft. 11 in.)	2.73 m (8 ft. 11 in.)	2.73 m (8 ft. 11 in.)
C Ground Clearance	458 mm (18 in.)	458 mm (18 in.)	458 mm (18 in.)	458 mm (18 in.)	458 mm (18 in.)	458 mm (18 in.)	458 mm (18 in.)
D Length From Centerline to Front Axle	1.70 m (5 ft. 7 in.)	1.70 m (5 ft. 7 in.)	1.70 m (5 ft. 7 in.)	1.70 m (5 ft. 7 in.)	1.70 m (5 ft. 7 in.)	1.70 m (5 ft. 7 in.)	1.70 m (5 ft. 7 in.)
E Wheelbase	3.46 m (11 ft. 4 in.)	3.46 m (11 ft. 4 in.)	3.46 m (11 ft. 4 in.)	3.46 m (11 ft. 4 in.)	3.46 m (11 ft. 4 in.)	3.46 m (11 ft. 4 in.)	3.46 m (11 ft. 4 in.)
F Overall Length, Bucket on Ground	9.17 m (30 ft. 1 in.)	9.38 m (30 ft. 9 in.)	9.17 m (30 ft. 1 in.)	9.18 m (30 ft. 1 in.)	9.39 m (30 ft. 10 in.)	9.18 m (30 ft. 1 in.)	9.81 m (32 ft. 2 in.)
G Height to Hinge Pin, Fully Raised	4.27 m (14 ft. 0 in.)	4.27 m (14 ft. 0 in.)	4.27 m (14 ft. 0 in.)	4.27 m (14 ft. 0 in.)	4.27 m (14 ft. 0 in.)	4.27 m (14 ft. 0 in.)	4.84 m (15 ft. 11 in.)
H Dump Clearance, 45 deg., Full Height	2.95 m (9 ft. 8 in.)	2.81 m (9 ft. 2 in.)	2.95 m (9 ft. 8 in.)	2.94 m (9 ft. 8 in.)	2.80 m (9 ft. 2 in.)	2.94 m (9 ft. 8 in.)	3.64 m (11 ft. 11 in.)
I Reach, 45-deg. Dump, Full Height	1.41 m (4 ft. 8 in.)	1.54 m (5 ft. 1 in.)	1.41 m (4 ft. 8 in.)	1.41 m (4 ft. 8 in.)	1.55 m (5 ft. 1 in.)	1.41 m (4 ft. 8 in.)	1.69 m (5 ft. 7 in.)
J Reach, 45-deg. Dump, 2.13-m (7 ft. 0 in.) Clearance	1.98 m (6 ft. 6 in.)	2.05 m (6 ft. 9 in.)	1.98 m (6 ft. 6 in.)	1.98 m (6 ft. 6 in.)	2.05 m (6 ft. 9 in.)	1.98 m (6 ft. 6 in.)	2.55 m (8 ft. 4 in.)
K Maximum Digging Depth	83 mm (3.3 in.)	103 mm (4.1 in.)	80 mm (3.2 in.)	88 mm (3.5 in.)	109 mm (4.3 in.)	86 mm (3.4 in.)	199 mm (7.8 in.)
L Maximum Rollback at Ground Level	40.3 deg.	40.3 deg.	40.3 deg.	40.3 deg.	40.3 deg.	40.3 deg.	41.2 deg.
M Maximum Rollback, Boom Fully Raised	54.9 deg.	54.9 deg.	54.9 deg.	54.9 deg.	54.9 deg.	54.9 deg.	53.1 deg.
N Maximum Bucket Dump Angle, Fully Raised	49.5 deg.	49.5 deg.	49.5 deg.	49.5 deg.	49.5 deg.	49.5 deg.	40.0 deg.
Loader Clearance Circle, Bucket Carry Position	14.1 m (46 ft. 3 in.)	14.3 m (46 ft. 11 in.)	14.1 m (46 ft. 3 in.)	14.1 m (46 ft. 3 in.)	14.3 m (46 ft. 11 in.)	14.1 m (46 ft. 3 in.)	14.4 m (47 ft. 1 in.)
<b>Specifications With Bucket</b>							
Capacity, Heaped	3.8 m <sup>3</sup> (5.0 cu. yd.)	3.8 m <sup>3</sup> (5.0 cu. yd.)	3.8 m <sup>3</sup> (5.0 cu. yd.)	4.0 m <sup>3</sup> (5.25 cu. yd.)	4.0 m <sup>3</sup> (5.25 cu. yd.)	4.0 m <sup>3</sup> (5.25 cu. yd.)	3.8 m <sup>3</sup> (5.0 cu. yd.)
Capacity, Heaped at 110% Fill Factor	4.2 m <sup>3</sup> (5.5 cu. yd.)	4.2 m <sup>3</sup> (5.5 cu. yd.)	4.2 m <sup>3</sup> (5.5 cu. yd.)	4.4 m <sup>3</sup> (5.78 cu. yd.)	4.4 m <sup>3</sup> (5.78 cu. yd.)	4.4 m <sup>3</sup> (5.78 cu. yd.)	4.2 m <sup>3</sup> (5.5 cu. yd.)
Capacity, Struck	3.25 m <sup>3</sup> (4.25 cu. yd.)	3.25 m <sup>3</sup> (4.25 cu. yd.)	3.25 m <sup>3</sup> (4.25 cu. yd.)	3.4 m <sup>3</sup> (4.5 cu. yd.)	3.4 m <sup>3</sup> (4.5 cu. yd.)	3.4 m <sup>3</sup> (4.5 cu. yd.)	3.25 m <sup>3</sup> (4.25 cu. yd.)
Bucket Weight With Bolt-On Cutting Edge	2343 kg (5,165 lb.)	2466 kg (5,437 lb.)	2365 kg (5,214 lb.)	2366 kg (5,216 lb.)	2490 kg (5,490 lb.)	2389 kg (5,267 lb.)	2343 kg (5,165 lb.)
Bucket Width	3.28 m (10 ft. 9 in.)	3.30 m (10 ft. 10 in.)	3.28 m (10 ft. 9 in.)	3.28 m (10 ft. 9 in.)	3.30 m (10 ft. 10 in.)	3.28 m (10 ft. 9 in.)	3.28 m (10 ft. 9 in.)
Breakout Force	17 280 kg (38,096 lb.)	15 256 kg (33,634 lb.)	17 304 kg (38,149 lb.)	17 114 kg (37,730 lb.)	15 116 kg (33,325 lb.)	17,136 kg (37,778 lb.)	15 433 kg (34,024 lb.)
Tipping Load, Straight, No Tire Deflection	18 601 kg (41,008 lb.)	18 433 kg (40,637 lb.)	18 573 kg (40,946 lb.)	18 612 kg (41,032 lb.)	18 443 kg (40,659 lb.)	18 584 kg (40,970 lb.)	14 789 kg (32,604 lb.)
Tipping Load, Straight, With Tire Deflection	17 343 kg (38,234 lb.)	17 175 kg (37,864 lb.)	17 313 kg (38,168 lb.)	17 343 kg (38,234 lb.)	17 178 kg (37,871 lb.)	17 316 kg (38,175 lb.)	15 090 kg (33,267 lb.)
Tipping Load, 37-deg. Partial Turn, No Tire Deflection	16 299 kg (35,933 lb.)	16 131 kg (35,562 lb.)	16 271 kg (35,871 lb.)	16 300 kg (35,935 lb.)	16 131 kg (35,562 lb.)	16 272 kg (35,873 lb.)	12 857 kg (28,344 lb.)
Tipping Load, 40-deg. Full Turn, No Tire Deflection	15 927 kg (35,113 lb.)	15 758 kg (34,740 lb.)	15 898 kg (35,049 lb.)	15 926 kg (35,110 lb.)	15 756 kg (34,736 lb.)	15 898 kg (35,049 lb.)	12 545 kg (27,656 lb.)
Tipping Load, 40-deg. Full Turn, With Tire Deflection	14 307 kg (31,541 lb.)	14 142 kg (31,177 lb.)	14 277 kg (31,475 lb.)	14 295 kg (31,515 lb.)	14 127 kg (30,455 lb.)	14 268 kg (31,455 lb.)	12 495 kg (27,546 lb.)
Rated Operating Load, 50% Full-Turn Tipping Load, With Tire Deflection (conforms to ISO 14397-1)*	7154 kg (15,772 lb.)	7071 kg (15,589 lb.)	7139 kg (15,739 lb.)	7148 kg (15,759 lb.)	7064 kg (15,573 lb.)	7134 kg (15,728 lb.)	6248 kg (13,774 lb.)
Operating Weight	26 090 kg (57,518 lb.)	26 216 kg (57,796 lb.)	26 113 kg (57,569 lb.)	26 174 kg (57,703 lb.)	26 301 kg (57,983 lb.)	26 197 kg (57,754 lb.)	26 630 kg (58,709 lb.)

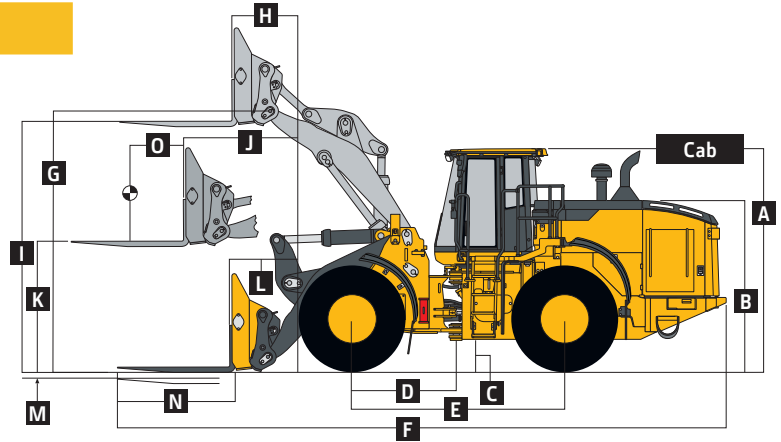
Loader operating information is based on machine with identified linkage and standard equipment, PowerTech PSS 6090 (EPA Final Tier 4/EU Stage V) engine, ROPS cab, rear cast bumper/counterweight, transmission side-frame guards, bottom guards, standard tires, full fuel tank, and 79-kg (175 lb.) operator. This information is affected by changes in tires, ballast, and different attachments.

\*Rated operating capacity based on Deere attachments only.

While general information, pictures, and descriptions are provided, some illustrations and text may include product options and accessories NOT AVAILABLE in all regions, and in some countries products and accessories may require modifications or additions to ensure compliance with the local regulations of those countries.

# 744 P-TIER

## Dimensions and Specifications With Coupler and Hook-On Construction Forks 744 P-TIER



### 744 P-TIER STANDARD-LIFT AND HIGH-LIFT LOADERS WITH HOOK-ON CONSTRUCTION FORKS

	<i>Standard-Lift</i>	<i>Standard-Lift</i>	<i>High-Lift</i>
<b>Dimensions With Forks</b>	<i>1.83-m (72 in.) tine length</i>	<i>2.44-m (96 in.) tine length</i>	<i>1.83-m (72 in.) tine length</i>
<b>A</b> Height to Top of Cab	3.57 m (11 ft. 9 in.)	3.57 m (11 ft. 9 in.)	3.57 m (11 ft. 9 in.)
<b>B</b> Hood Height	2.73 m (8 ft. 11 in.)	2.73 m (8 ft. 11 in.)	2.73 m (8 ft. 11 in.)
<b>C</b> Ground Clearance	458 mm (18 in.)	458 mm (18 in.)	458 mm (18 in.)
<b>D</b> Length From Centerline to Front Axle	1.70 m (5 ft. 7 in.)	1.70 m (5 ft. 7 in.)	1.70 m (5 ft. 7 in.)
<b>E</b> Wheelbase	3.46 m (11 ft. 4 in.)	3.46 m (11 ft. 4 in.)	3.46 m (11 ft. 4 in.)
<b>F</b> Overall Length, Forks on Ground	9.82 m (32 ft. 3 in.)	10.43 m (34 ft. 3 in.)	10.49 m (34 ft. 5 in.)
<b>G</b> Height to Hinge Pin, Fully Raised	4.27 m (14 ft. 0 in.)	4.27 m (14 ft. 0 in.)	4.84 m (15 ft. 11 in.)
<b>H</b> Reach, Fully Raised	0.90 m (35 in.)	0.90 m (35 in.)	1.05 m (3 ft. 5 in.)
<b>I</b> Fork Height, Fully Raised	3.22 m (10 ft. 7 in.)	3.22 m (10 ft. 7 in.)	3.79 m (12 ft. 5 in.)
<b>J</b> Maximum Reach, Fork Level	1.77 m (5 ft. 10 in.)	1.77 m (5 ft. 10 in.)	2.29 m (7 ft. 6 in.)
<b>K</b> Fork Height, Maximum Reach	1.29 m (4 ft. 3 in.)	1.29 m (4 ft. 3 in.)	1.29 m (4 ft. 3 in.)
<b>L</b> Reach, Ground Level	1.00 m (3 ft. 3 in.)	1.00 m (3 ft. 3 in.)	1.67 m (5 ft. 6 in.)
<b>M</b> Depth Below Ground	56 mm (2.2 in.)	56 mm (2.2 in.)	59 mm (2.3 in.)
<b>N</b> Tine Length	1.83 m (72 in.)	2.44 m (96 in.)	1.83 m (72 in.)
<b>O</b> Load Position, 50% Tine Length	0.92 m (36 in.)	1.22 m (48 in.)	0.92 m (36 in.)
<b>Specifications With Forks</b>			
Tipping Load, Straight, No Tire Deflection	13 078 kg (28,832 lb.)	11 859 kg (26,144 lb.)	10 941 kg (24,120 lb.)
Tipping Load, Straight, With Tire Deflection	12 666 kg (27,923 lb.)	11 502 kg (25,357 lb.)	10 611 kg (23,393 lb.)
Tipping Load, 37-deg. Partial Turn, No Tire Deflection	11 526 kg (25,410 lb.)	10 428 kg (22,989 lb.)	9586 kg (21,133 lb.)
Tipping Load, 40-deg. Full Turn, No Tire Deflection	11 275 kg (24,857 lb.)	10 197 kg (22,480 lb.)	9367 kg (20,650 lb.)
Tipping Load, 40-deg. Full Turn, With Tire Deflection	10 710 kg (23,611 lb.)	9702 kg (21,389 lb.)	8907 kg (19,636 lb.)
Rated Operating Load, 50% Full-Turn Tipping Load, With Tire Deflection (conforms to ISO 14397-1)*	5355 kg (11,806 lb.)	4851 kg (10,695 lb.)	4454 kg (9,819 lb.)
Rated Operating Load, Rough Terrain, 60% Full-Turn Tipping Load, With Tire Deflection (conforms to EN474-3)*	6426 kg (14,167 lb.)	5821 kg (12,833 lb.)	5344 kg (11,781 lb.)
Rated Operating Load, Firm and Level Ground, 80% Full-Turn Tipping Load, With Tire Deflection (conforms to EN474-3)*	8568 kg (18,889 lb.)	7762 kg (17,112 lb.)	7126 kg (15,710 lb.)
Operating Weight	25 022 kg (55,164 lb.)	25 194 kg (55,543 lb.)	25 562 kg (56,354 lb.)

Loader operating information is based on machine with identified linkage and standard equipment, PowerTech PSS 6090 (EPA Final Tier 4/EU Stage V) engine, ROPS cab, rear cast bumper/counterweight, transmission side-frame guards, bottom guards, standard tires, full fuel tank, and 79-kg (175 lb.) operator. This information is affected by changes in tires, ballast, and different attachments.

\*Rated operating capacity based on Deere attachments only.

# 744 P-TIER

While general information, pictures, and descriptions are provided, some illustrations and text may include product options and accessories NOT AVAILABLE in all regions, and in some countries products and accessories may require modifications or additions to ensure compliance with the local regulations of those countries.

Dimensions and Specifications			
With Pin-On Millyard Forks		744 P-TIER LOG HANDLER	
		Standard-Lift	Standard-Lift
<b>Dimensions With Millyard Forks</b>	<i>Wicker with 1.68-m (66 in.) tine length</i>	<b>Specifications With Millyard Forks</b>	<i>Wicker with 1.68-m (66 in.) tine length</i>
Height to Top of Cab	3.57 m (11 ft. 9 in.)	Tipping Load, Straight, No Tire Deflection	15 741 kg (34,703 lb.)
Hood Height	2.73 m (8 ft. 11 in.)	Tipping Load, Straight, With Tire Deflection	14 973 kg (33,009 lb.)
Ground Clearance	458 mm (18 in.)	Tipping Load, 37-deg. Partial Turn, No Tire Deflection	13 823 kg (30,474 lb.)
Length From Centerline to Front Axle	1.70 m (5 ft. 7 in.)	Tipping Load, 40-deg. Full Turn, No Tire Deflection	13 513 kg (29,791 lb.)
Wheelbase	3.46 m (11 ft. 4 in.)	Tipping Load, 40-deg. Full Turn, With Tire Deflection	12 474 kg (27,500 lb.)
Overall Length, Forks on Ground	9.30 m (30 ft. 6 in.)	Operating Weight	26 155 kg (57,662 lb.)
Height to Hinge Pin, Fully Raised	4.27 m (14 ft. 0 in.)	<i>Loader operating information is based on machine with identified linkage and standard equipment, PowerTech PSS 6090 (EPA Final Tier 4/EU Stage V) engine, ROPS cab, rear cast bumper/counterweight, transmission side-frame guards, bottom guards, standard tires, full fuel tank, and 79-kg (175 lb.) operator. This information is affected by changes in tires, ballast, and different attachments.</i>	
Reach, Fully Raised	2.35 m (7 ft. 9 in.)		
Fork Height, Fully Raised	3.28 m (10 ft. 9 in.)		
Maximum Reach, Fork Level	3.22 m (10 ft. 7 in.)		
Fork Height, Maximum Reach	1.30 m (4 ft. 3 in.)		
Reach, Ground Level	2.56 m (8 ft. 5 in.)		
Depth Below Ground	112 mm (4.4 in.)		
Tine Length	1.68 m (66 in.)		
Grapple Weight	2381 kg (5,250 lb.)		
Overall Grapple Width	2.21 m (87 in.) (7 ft. 3 in.)		
Dimensions and Specifications			
With Pin-On Pipe Grapple		744 P-TIER PIPE HANDLER	
		Standard-Lift	Standard-Lift
<b>Dimensions With Pipe Grapple</b>	<i>Rockland with 0.09-m x 0.20-m x 2.44-m 3.5 in. x 8.0 in. x 96.0 in.) tine length</i>	<b>Specifications With Pipe Grapple</b>	<i>Rockland with 0.09-m x 0.20-m x 2.44-m 3.5 in. x 8.0 in. x 96.0 in.) tine length</i>
Height to Top of Cab	3.57 m (11 ft. 9 in.)	Tipping Load, Straight, No Tire Deflection	12 513 kg (27,586 lb.)
Hood Height	2.73 m (8 ft. 11 in.)	Tipping Load, Straight, With Tire Deflection	12 024 kg (26,508 lb.)
Ground Clearance	458 mm (18.0 in.)	Tipping Load, 37-deg. Partial Turn, No Tire Deflection	10 867 kg (23,957 lb.)
Length From Centerline to Front Axle	1.70 m (5 ft. 7 in.)	Tipping Load, 40-deg. Full Turn, No Tire Deflection	10 601 kg (23,371 lb.)
Wheelbase	3.46 m (11 ft. 4 in.)	Tipping Load, 40-deg. Full Turn, With Tire Deflection	9 927 kg (21,885 lb.)
Overall Length, Forks on Ground	9.91 m (32 ft. 6 in.)	Operating Weight	27 180 kg (59,921 lb.)
Height to Hinge Pin, Fully Raised	4.27 m (14 ft. 0 in.)	<i>Loader operating information is based on machine with identified linkage and standard equipment, PowerTech PSS 6090 (EPA Final Tier 4/EU Stage V) engine, ROPS cab, rear cast bumper/counterweight, transmission side-frame guards, bottom guards, standard tires, full fuel tank, and 79-kg (175 lb.) operator. This information is affected by changes in tires, ballast, and different attachments.</i>	
Reach, Fully Raised	3.34 m (11 ft. 0 in.)		
Fork Height, Fully Raised	3.64 m (11 ft. 11 in.)		
Maximum Reach, Fork Level	4.19 m (13 ft. 9 in.)		
Fork Height, Maximum Reach	1.30 m (4 ft. 3 in.)		
Reach, Ground Level	2.98 m (9 ft. 9 in.)		
Depth Below Ground	470 mm (18.5 in.)		
Tine Length	2.44 m (96 in.)		
Grapple Weight	3406 kg (7,510 lb.)		
Overall Grapple Width	3.05 m (120 in.) (10 ft. 0 in.)		

While general information, pictures, and descriptions are provided, some illustrations and text may include product options and accessories NOT AVAILABLE in all regions, and in some countries products and accessories may require modifications or additions to ensure compliance with the local regulations of those countries.

# 744 P-TIER

## Adjustments to Operating Weights and Tipping Loads With Buckets

744 P-TIER

Adjustments to operating weights, tipping loads, and tires are based on Standard-Lift machine with pin-on 4.0-m<sup>3</sup> (5.25 cu. yd.) general-purpose bucket with bolt-on cutting edge, ROPS cab, rear cast bumper/counterweight, transmission side-frame guards, bottom guards, standard tires, full fuel tank, and 79-kg (175 lb.) operator\*

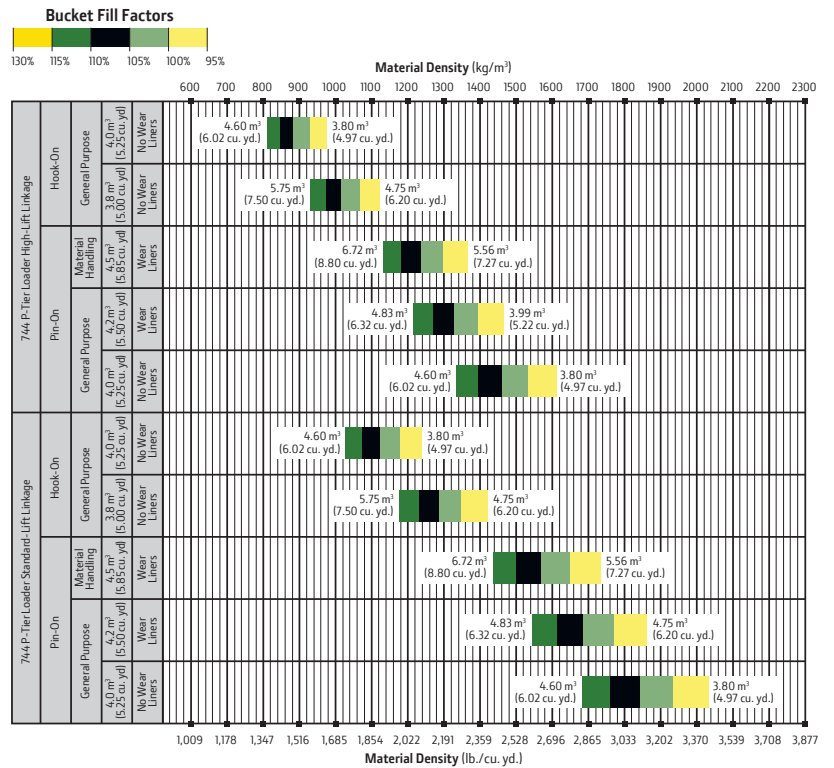
Add (+) or deduct (-) kg (lb.) as indicated for loaders with 3-piece rims	Operating Weight	Tipping Load,			Tread Width	Width Over Tires	Vertical Height
		Straight	Partial Turn	40-deg. Full Turn			
Michelin 26.5 R 25, 2 Star L-3	0 kg (0 lb.)	0 kg (0 lb.)	0 kg (0 lb.)	0 kg (0 lb.)	0 mm (0 in.)	0 mm (0 in.)	0 mm (0 in.)
Titan 26.5 R 25, 1 Star L-3	0 kg (0 lb.)	0 kg (0 lb.)	0 kg (0 lb.)	0 kg (0 lb.)	0 mm (0 in.)	-8 mm (-0.30 in.)	+4 mm (+0.15 in.)
Goodyear 26.5 R 25, 1 Star L-3	-56 kg (-123 lb.)	-42 kg (-93 lb.)	-37 kg (-82 lb.)	-37 kg (-82 lb.)	0 mm (0 in.)	0 mm (0 in.)	+4 mm (+0.15 in.)
Firestone 26.5-25, 20-Ply L-3	-360 kg (-794 lb.)	-268 kg (-591 lb.)	-241 kg (-531 lb.)	-236 kg (-520 lb.)	0 mm (0 in.)	-30 mm (-1.18 in.)	+41 mm (+1.61 in.)
Michelin 775/65 R29, 1 Star L-3 <sup>§</sup>	+726 kg (+1,601 lb.)	+541 kg (+1,193 lb.)	+486 kg (+1,071 lb.)	+477 kg (+1,052 lb.)	0 mm (0 in.)	+104 mm (+4.09 in.)	+23 mm (+0.91 in.)
Bridgestone 775/65 R29, 1 Star L-3 <sup>§</sup>	+876 kg (+1,931 lb.)	+653 kg (+1,440 lb.)	+586 kg (+1,292 lb.)	+575 kg (+1,268 lb.)	0 mm (0 in.)	+99 mm (+3.90 in.)	+14 mm (+0.55 in.)
4.2-m <sup>3</sup> (5.5 cu. yd.) General-Purpose Bucket With Wear Liners	+237 kg (+522 lb.)	-461 kg (-1,016 lb.)	-439 kg (-968 lb.)	-435 kg (-959 lb.)	0 mm (0 in.)	0 mm (0 in.)	0 mm (0 in.)
4.5-m <sup>3</sup> (5.85 cu. yd.) Material-Handling Bucket With Wear Liners	+274 kg (+604 lb.)	-603 kg (-1,329 lb.)	-570 kg (-1,257 lb.)	-565 kg (-1,246 lb.)	0 mm (0 in.)	0 mm (0 in.)	0 mm (0 in.)
High-Lift Boom	+540 kg (+1,190 lb.)	-404 kg (-890 lb.)	-364 kg (-803 lb.)	-358 kg (-789 lb.)	0 mm (0 in.)	0 mm (0 in.)	0 mm (0 in.)

\*May change based on vehicle configuration, weight, or tire-pressure adjustments.

§Requires 8-deg. rear axle stops.

## Bucket Selection Guides

LOOSE MATERIALS	kg/m <sup>3</sup>	lb./cu. yd.	LOOSE MATERIALS	kg/m <sup>3</sup>	lb./cu. yd.
Chips, pulpwood	288	486	Limestone, coarse, sized	1570	2,646
Cinders (coal, ashes, clinkers)	673	1,134	Limestone, mixed sizes	1682	2,835
Clay and gravel, dry	1602	2,700	Limestone, pulverized or crushed	1362	2,295
Clay, compact, solid	1746	2,943	Sand, damp	2083	3,510
Clay, dry in lump loose	1009	1,701	Sand, dry	1762	2,970
Clay, excavated in water	1282	2,160	Sand, voids, full of water	2083	3,510
Coal, anthracite, broken, loose	865	1,458	Sandstone, quarried	1314	2,214
Coal, bituminous, moderately wet	801	1,350	Shale, broken crushed	1362	2,295
Earth, common loam, dry	1218	2,052	Slag, furnace granulated	1955	3,294
Earth, mud, packed	1843	3,105	Stone or gravel, 37.5 to 87.5-mm		
Granite, broken	1538	2,592	(1.5 to 3.5 in.) size	1442	2,430
Gypsum	2275	3,834	Stone or gravel, 18.75-mm (0.75 in.) size	1602	2,700



# Additional equipment

Key: ● Standard ▲ Optional or special

See your John Deere dealer for further information.

## 744 P Engine

- Wet-sleeve cylinder liners
- Programmable auto-idle and auto shutdown
- Selected idle adjustment from 900–1,250 rpm
- Starter excessive-cranking protection
- Automatic engine cool-down timer
- Automatic derating for exceeded system temperatures
- Serpentine drive belt for automatic tensioner
- Electrical fuel-priming pump
- Dual-stage fuel filter and water separator
- 500-hour vertical spin-on oil filter
- Engine-compartment light
- ▲ Chrome exhaust stack
- ▲ Automatic ether starting aid and engine block heater (recommended for cold starts below –12 deg. C [10 deg. F])
- Centrifugal engine air pre-cleaner
- ▲ Throttle lock

## Powertrain

- Clutch cutoff with 4 operator settings: Automatic, level ground, small slope, or steep slope
- Programmable maximum high gear
- Clutch calibration engaged from monitor
- 2,000-hour vertical spin-on transmission filter
- Transmission fill tube with sight gauge
- Transmission diagnostic ports
- 5-speed transmission with lockup torque converter
- Front locking differential
- ▲ Rear locking differential
- Brake adjusters and retractors
- ▲ Automatic differential lock
- Axle oil temperature sensing
- Wheel-spin control

## Quad-Cool™ Cooling System

- Heavy-duty, trash-resistant radiator and high-ambient cooling package
- 2-side access to all coolers

## 744 P Quad-Cool Cooling System (continued)

- Isolated from engine compartment
- Engine radiator
- Integral engine oil cooler
- Hydraulic oil cooler (oil to air)
- Transmission oil cooler (oil to air)
- Charge air cooler (air to air)
- Fuel cooler
- Coolant recovery tank with under-hood lighting
- Coolant-loss sensor
- Antifreeze, –37 deg. C (–34 deg. F)
- Cool-on-demand swing-out fan
- Enclosed fan safety guard
- Automatic reversing fan drive
- Axle and service-brake coolers

## Hydraulics

- Electrohydraulic control with soft stops and adjustable settings
- In-cab adjustable automatic return-to-dig bucket positioner
- In-cab adjustable automatic boom-height kickout/return to carry
- Reservoir with sight gauge and fill strainer
- Hydraulic diagnostic ports
- 4,000-hour in-tank filter
- 2 function — 2-lever fingertip controls
- ▲ 2 function — joystick
- ▲ 2 function — joystick with F-N-R (steering wheel only)
- ▲ 3 function — 3-lever fingertip controls
- ▲ 3 function — joystick with integrated 3rd-function roller
- ▲ 3 function — joystick with integrated 3rd-function roller and F-N-R (steering wheel only)
- ▲ 4 function — joystick with integrated 3rd/4th-function rollers
- ▲ 4 function — joystick with integrated 3rd/4th-function rollers and F-N-R (steering wheel only)
- 2 programmable multifunction buttons
- Adjustable and continuous auxiliary hydraulic-flow settings
- Programmable attachment settings

## 744 P Hydraulics (continued)

- Ride control, automatic with monitor-adjustable speed settings
- ▲ Hydraulic control system for quick-coupler locking pins
- ▲ Hydra™ XR cold-temperature hydraulic fluid recommended below –25 deg. C (–13 deg. F)

## Steering Systems

- Joystick steering with gearshift, F-N-R, and horn
- ▲ Conventional steering wheel with spinner knob
- ▲ Secondary steering

## Electrical

- Solid-state electrical power-distribution system
- Lockable master electrical-disconnect switch
- Battery-terminal safety covers
- By-pass start safety cover at starter
- Remote jump-start access in battery box
- Pre-wired for beacon/strobe light
- ▲ Beacon bracket (single or dual available)
- ▲ LED strobe beacon
- Lights: Halogen driving lights with guards (2) / Front (4), rear cab (2), and rear grille (2) work lights / LEF front turn signals and flashers / LED stop- and taillights
- ▲ Premium LED work, drive, and marker lights
- Programmable courtesy lights
- Horn, electric
- Reverse warning alarm
- Multifunction/multi-language 178-mm (7 in.) LCD color monitor includes: Digital instruments — Analog display (hydraulic oil temperature, engine coolant temperature, transmission oil temperature, and engine oil pressure) / Digital display (engine rpm, transmission gear/direction indicator, hour meter, fuel level, diesel exhaust fluid [DEF] level, speedometer, odometer, and average fuel consumption)
- Integrated cycle counter with 5 categories

While general information, pictures, and descriptions are provided, some illustrations and text may include product options and accessories NOT AVAILABLE in all regions, and in some countries products and accessories may require modifications or additions to ensure compliance with the local regulations of those countries.

Net engine power is with standard equipment including air cleaner, exhaust system, alternator, and cooling fan at test conditions per ISO 9249. No derating is required up to 3050-m (10,000 ft.) altitude. Specifications and design subject to change without notice. Specifications with the exception of bucket capacity are in accordance with all applicable ISO standards. Except where otherwise noted, these specifications are based on a unit with applicable linkage and standard equipment, ROPS cab, rear cast bumper/counterweight, transmission side-frame guards, bottom guards, standard tires, full fuel tank, and 79-kg (175 lb.) operator.

# Additional equipment *(continued)*

Key: ● Standard ▲ Optional or special

See your John Deere dealer for further information.

## 744 P Electrical *(continued)*

- Indicator lights: Standard and selected options / Amber caution and red stop
- Operator-warning messages
- Built-in diagnostics: Diagnostic-code details / Sensor values / Calibrations / Individual circuit tester

- ▲ Electrical corrosion-prevention package
- ▲ Premium AM/FM/Weather Band (WB) radio with Bluetooth®, remote auxiliary port, and remote USB port

- ▲ 24- to 12-volt, 30-amp converter with 3 in-cab power ports

### Operator's Station

- Quiet Cab with air conditioning/heater (ROPS/FOPS Level 2, isolation mounted)
- Automatic temperature control
- Rear window defrost vent
- Keyless start with multiple security modes
- Sealed-switch module with function indicators

- Premium seat with high-wide back and headrest extension, heated and ventilated, leather/fabric cover, pan tilt/extend, damper adjustments, and adjustable heavy-duty air suspension

- Hydraulic controls and joystick steering integrated to seat

- High-visibility, bright-orange seat belt, 76 mm (3 in.), with retractor

- Seat-belt minder monitoring with JDLink™

- ▲ Seat-belt indicator beacon light

- Cup holder and cup/thermos holder with retaining strap

- Lunch-box/cooler holder with tie-down brackets

- LED dome and reading light

- Coat hook

- Rubber floor mat

- ▲ Dual-tilt steering column (steering wheel only)

- Operator's manual storage compartment

- Outside (2) and inside (2) rearview mirrors

- ▲ In-cab adjustable heated outside mirrors with convex lens

## 744 P Operator's Station *(continued)*

- Left-side operator-station access

- Front window-washing platforms with fall-arrest system anchor points tested to 2268 kg (5,000 lb.)

- Slip-resistant steps and ergonomic handholds

- Pull-down front sun visor

- ▲ Pull-down rear sun visor

- CB radio ready with 12-volt power, bracket, and antennae included

- Front and rear intermittent windshield wiper and washers

- ▲ Powered cab air pre-cleaner

- Rearview camera

- ▲ Advanced radar object-detection system

- ▲ Advanced vision system

- Payload scale ready

- ▲ Payload scale system

- ▲ Payload scale system with printer

- ▲ Fire extinguisher

### Loader Linkage

- Z-Bar loader linkage

- ▲ High-Lift Z-Bar loader linkage

### Buckets and Attachments

- ▲ Full line of Deere pin-on buckets, hook-on buckets, and forks

- ▲ John Deere hydraulic coupler that accepts JRB 420-pattern attachments

- ▲ Bolt-on bucket spill guard

- ▲ Bushed pin joints (including static joints) on optional Enhanced-Performance buckets

### Overall Vehicle

- JDLink wireless communication system (available in specific countries; see your dealer for details)

- ▲ Auto-lube system with empty reservoir sensor and diagnostics integrated into machine diagnostics and JDLink alerts

- Front and rear tie-downs

- Rear cast bumper with rear hitch and locking pin

- Articulation locking bar

- Loader boom service locking bar

## 744 P Overall Vehicle *(continued)*

- 40-deg. steering articulation to each side with rubber-cushion stops on frame

- Vandal protection with lockable engine enclosures, right counterweight storage, battery box, and filler access for radiator/fuel/hydraulic transmission

- Right and left handrails, platforms, and steps

- Service steps and handholds

- Storage compartment

- Fuel-tank fill strainer

- Heavy-duty fuel-tank guard

- Ground-level fueling and DEF

- Same-side ground-level daily servicing

- Environmental drains for engine, transmission, hydraulic oils, and engine coolant

- Fluid-sampling ports for engine, transmission, hydraulic and axle oils, and engine coolant

- 26.5R25 tires on 5-piece rims

- ▲ 29.5R25 tires on 5-piece rims

- ▲ 775/65R29 tires on 5-piece rims

- ▲ Tire-pressure monitoring system

- Level 1 sound package

- Level 2 sound package

- ▲ Transmission side-frame and bottom guards

- ▲ Fast-fuel system

- ▲ Quick fluid service (engine, transmission, hydraulic oils, and engine coolant)

- Fenders, full-coverage, front

- ▲ Fenders, full-coverage, front and rear

- ▲ Fenders, roading, full-coverage, front and rear

- ▲ Less wheels and tires with axle stops

- ▲ Rims less tires

- Lift eyes

- ▲ Wheel-chock-mounting brackets

- ▲ License-plate bracket and light

- ▲ Log handler (Standard-Lift only)

- ▲ Pipe handler (Standard-Lift only)

- ▲ Special guarding for waste and forestry applications

While general information, pictures, and descriptions are provided, some illustrations and text may include product options and accessories NOT AVAILABLE in all regions, and in some countries products and accessories may require modifications or additions to ensure compliance with the local regulations of those countries.

Net engine power is with standard equipment including air cleaner, exhaust system, alternator, and cooling fan at test conditions per ISO 9249. No derating is required up to 3050-m (10,000 ft.) altitude. Specifications and design subject to change without notice. Specifications with the exception of bucket capacity are in accordance with all applicable ISO standards. Except where otherwise noted, these specifications are based on a unit with applicable linkage and standard equipment, ROPS cab, rear cast bumper/counterweight, transmission side-frame guards, bottom guards, standard tires, full fuel tank, and 79-kg (175 lb.) operator.



MW744PAU (22-10)



**JOHN DEERE**