

Technical information

SUPER 1303-3(i)



Wheeled paver SUPER 1303-3(i)

Compact Class

TECHNICAL HIGHLIGHTS

- > Maximum pave width 4.5 m
- > Maximum laydown rate 250 t/h
- > Transport width 1.85 m
- > Engine output: 74.4 kW at 2,000 rpm

SUPER 1303-3(i) - compact and powerful

The SUPER 1303-3(i) is extremely compact and manoeuvrable. It has a basic width of 1.85 m and a total length of just about 4.95 m, making this wheeled paver of the Compact Class just perfect for use on confined job sites.

With the AB 340 TV Extending Screed, the SUPER 1303-3(i) can pave widths up to 4.5 m, enabling it to manage medium-sized construction projects with ease.



TECHNICAL DATA	SUPER 1303-3i	SUPER 1303-3
Power unit		
	for EU/EFTA countries/USA/Canada	for all other countries
Engine	liquid-cooled 4-cylinder diesel engine	
> Version	Deutz	
> Manufacturer	TCD 3.6 L4	
> Type		
Output		
> Nominal	74.4 kW at 2,000 rpm	
> ECO mode	68.7 kW at 1,600 rpm	
Emissions information		
> Exhaust emissions standards	EU Stage V, US EPA Tier 4f	EU Stage 3a, US EPA Tier 3
> Exhaust gas after-treatment	DOC, DPF, SCR	
> Guaranteed sound power level	L _{WA} = 105 dB(A) (2000/14/EG, EN ISO 3744; EN 500-6)	
> Sound pressure level at the operator's stations	L _{PA} ≤ 85 dB(A) (EN ISO 11201; EN 500-6)	
Fuel tank	110 litres	
Undercarriage		
Front wheels	4, mounted on bogies	
> Tyre equipment	elastic solid rubber tyres	
> Tyre size	460/310-250 mm	
Rear wheels	2, pneumatic tyres or filled with water	
> Tyre size	365/80 R20	
Drive		
> Version	separate hydraulic drive provided for each wheel	
> Standard	2 rear wheels and 2 front wheels (6x4)	
Speeds		
> Paving	up to 30 m/min., infinitely variable	
> Travel	up to 20 km/h, infinitely variable	
Outside turning circle		
> Version	minimum 3.8 m (with Pivot Steer)	
Material hopper		
Hopper capacity	10 t	
Width	3,265 mm	
Feed height	570 mm (bottom of material hopper)	
Push-rollers		
> Standard	oscillating	
Position	can be displaced forwards by 80 mm	

Conveyors and augers

Conveyors

> Version	2, with replaceable feeder bars, conveyor movement reversible for a short time
> Drive	separate hydraulic drive provided for each conveyor
> Speed	up to 29.4 m/min., infinitely variable (manual or automatic)

Augers

> Version	2, with replaceable auger blades, auger rotation reversible
> Diameter	300 mm
> Drive	separate hydraulic drive provided for each auger
> Speed	up to 85 rpm, infinitely variable (manual or automatic)

Auger height

> Standard	infinitely variable by 13 cm, mechanical
> Option	infinitely variable by 13 cm, hydraulic

Screed AB 340

Basic width	1.8 m to 3.4 m
Maximum width (TV)	4.5 m
Min. pave width with system for pave width reduction	0.75 m
Reduction in width	by cut-off shoes 2 x 52.5 cm
Compacting systems	V, TV
Layer thickness	up to 25 cm
Screed heating	
> Version	electric by heating rods
> Power supply	three-phase AC generator

Dimensions (transport) and weights

Length

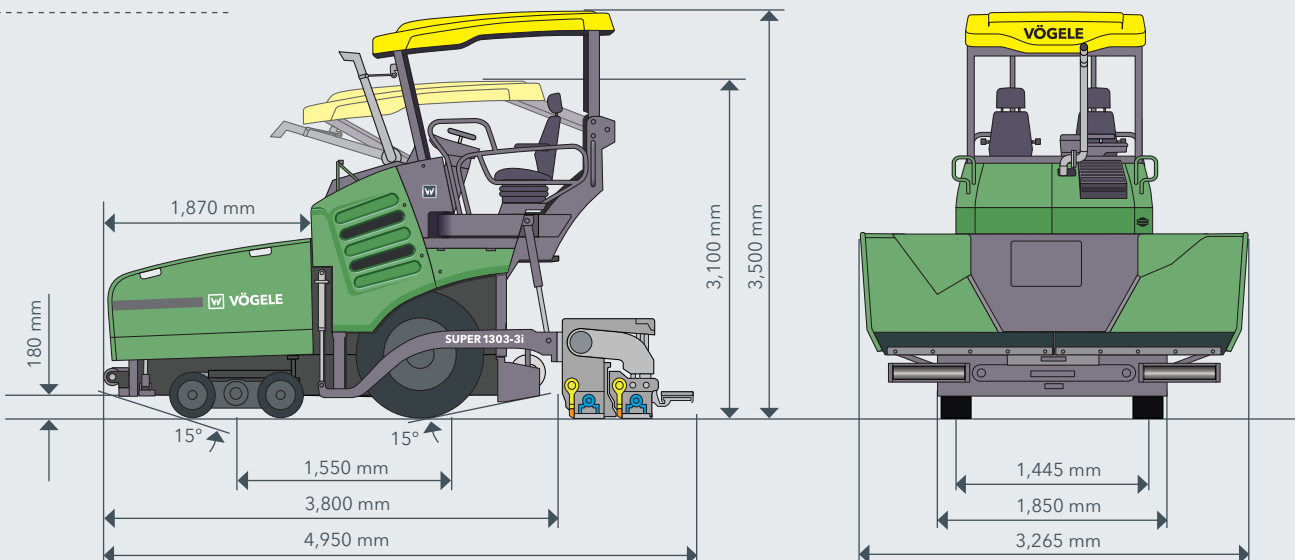
> Version	tractor unit with screed
> AB 340 TV	4.95 m

Weights

> Version	tractor unit with screed	
> Pave widths up to 3.4 m	SUPER 1303-3i: 10,700 kg	SUPER 1303-3: 10,600 kg
> Pave widths up to 4.5 m	SUPER 1303-3i: 11,200 kg	SUPER 1303-3: 11,100 kg

Key: DOC = Diesel Oxidation Catalyst, DPF = Diesel Particulate Filter, SCR = Selective Catalytic Reduction, AB = Extending Screed, V = with vibrators, TV = with tamper and vibrators

SIDE AND FRONT VIEW



THE HIGHLIGHTS OF THE SUPER 1303-3(i)

- > Large range of applications for pave widths up to 4.5 m
- > Powerful and economical drive concept with a modern 74.4 kW diesel engine
- > Pivot Steer steering brake achieves significantly smaller turning circle
- > Large material hopper and PaveDock Assistant communication system ensure optimum feeding with mix
- > ErgoPlus 3 operating system with numerous convenient and automatic functions
- > AutoSet Basic function for quick and safe repositioning of the paver on the job site
- > AB 340 Extending Screed ensures a perfect paving result

FEATURES	SUPER 1303-3i	SUPER 1303-3
> Powerful three-phase AC generator with generator management	■	■
> Electronic engine management with ECO mode and controlled fan drive	■	■
> Pivot Steer steering brake	■	■
> Wide push-rollers can be displaced forwards by 80 mm	■	■
> Manual hopper front	■	■
> Hydraulic hopper front	□	□
> PaveDock Assistant communication system	□	□
> AutoSet Basic	□	□
> Hardtop with sunshades	□	□
> Working lights, halogen	■	■
> Working lights, LED	□	□
> Simple, ergonomic ErgoPlus 3 operating concept	■	■
> 2 ErgoPlus 3 screed operator's consoles with colour display	■	■
> 2 comfortable operator's seats	■	■
> 2 ergonomic heated operator's seats	□	□
> Mechanical sensor to control augers	■	■
> Sonic sensor to control augers	□	□
> Niveltronic Plus System for Automated Grade and Slope Control	□	□
> Variety of grade and slope control sensors	□	□
> Washdown system with hose reel	□	□

This list is just an extract of the scope of supply.
Standard features and options may differ by sales region.

■ Standard feature □ Option

JOSEPH VÖGELE AG

Joseph-Vögele-Str. 1
67075 Ludwigshafen
Germany

T: +49 621 8105-0
F: +49 621 8105-461
M: marketing@voegele.info

➤ www.voegele.info

